

- **Model:** T-105 with Bayonet Cap
- **Voltage:** 6
- **Dimensions:** Inches (mm)
- **Battery:** Flooded/wet lead-acid battery
- **Color:** Maroon (case/cover)
- **Material:** Polypropylene
- **Watering System:** HydroLink™ Watering System



Product Specifications 6 Volt Deep Cycle Battery - With T2 Technology™

BCI Group Size	Type	Capacity ^A Minutes		Capacity ^B Amp-Hours (AH)				Energy (kWh)	Terminal Type ^E	Dimensions ^C Inches (mm)			WEIGHT lbs. (kg)
		@25 Amps	@75 Amps	5-Hr Rate	10-Hr Rate	20-Hr Rate	100-Hr Rate			100-Hr Rate	Length	Width	
GC2	T-105	447	115	185	207	225	250	1.50	1, 2, 3, 4	10.30 (262)	7.11 (181)	11.07 (281)	62 (28)

A. The number of minutes a battery can deliver when discharged at a constant rate at 80°F (27°C) and maintain a voltage above 1.75 V/cell. Capacities are based on peak performance.
B. The amount of amp-hours (AH) a battery can deliver when discharged at a constant rate at 80°F (27°C) for the 20-Hour and 100-Hour rates and 86°F (30°C) for the 5-Hour rate and maintain a voltage above 1.75 V/cell. Capacities are based on peak performance.

C. Dimensions are based on nominal size. Dimensions may vary depending on type of handle or terminal.
D. Dimensions taken from bottom of the battery to the highest point on the battery. Heights may vary depending on type of terminal.
E. Terminal images are representative only. Trojan's battery testing procedures adhere to both BCI and IEC test standards.

Charging Instructions

Charger Voltage Settings (at 77°F/25°C)

System Voltage	6V	12V	24V	36V	48V
Absorption Charge	7.40	14.8	29.6	44.4	59.2
Float Charge	6.60	13.2	26.4	39.6	52.8
Equalize Charge	7.75	15.5	31.0	46.5	62.0

Charging Temperature Compensation

.028 VPC for every 10°F (5.55°C) above or below 77°F (25°C)
 (add .028 VPC for every 10°F (5.55°C) below 77°F and subtract .028 VPC for every 10°C above 77°F).

Operational Data

Operating Temperature	Self Discharge
-4°F to 113°F (-20°C to +45°C). At temperatures below 32°F (0°C) maintain a state of charge greater than 60%.	5 – 15% per month depending on storage temperature conditions.

Charging Instructions

1. ELPT Embedded Low Profile Terminal
 Terminal Height Inches (mm) 1.22 (31)
 Torque Values in-lb (Nm) 95 – 105 (10.7 - 11.9)
 Bolt Size 5/16 – 18

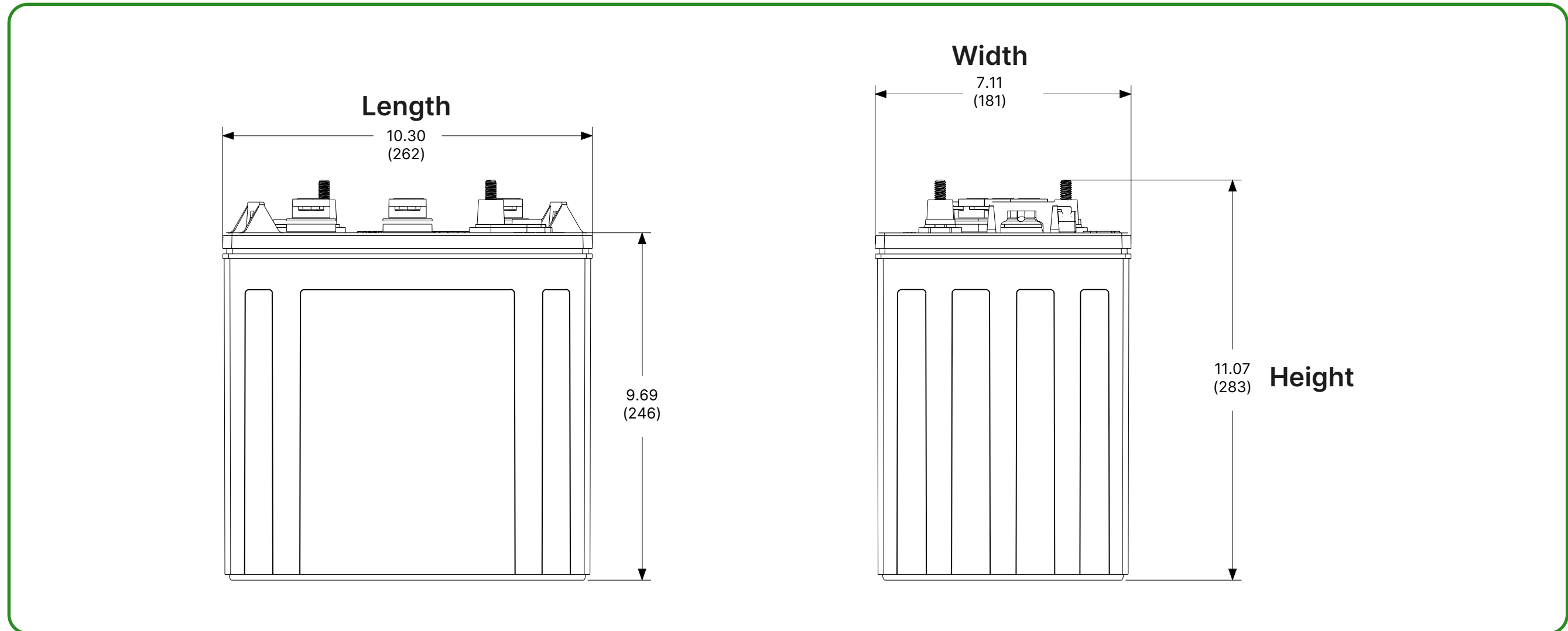
2. EHPT Embedded High Profile Terminal
 Terminal Height Inches (mm) 1.50 (38)
 Torque Values in-lb (Nm) 95 – 105 (10.7 - 11.9)
 Bolt Size 5/16 – 18

3. EAPT Embedded Automotive Post Terminal
 Terminal Height Inches (mm) .95 (24)
 Torque Values in-lb (Nm) 50 – 70 (5.6 - 7.9)

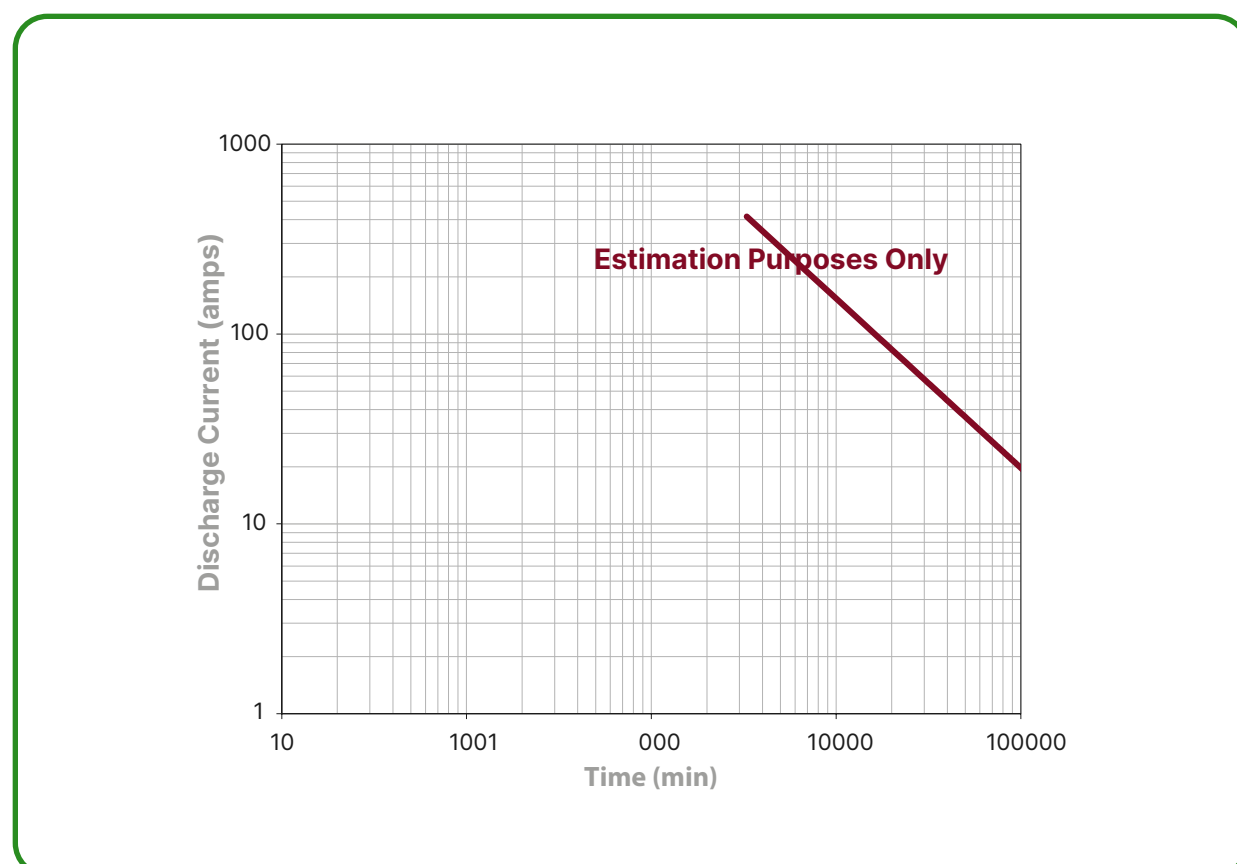
4. EUT Embedded Universal Terminal
 Terminal Height Inches (mm) 1.10 (28)
 Torque Values in-lb (Nm) 95 – 105 (10.7 - 11.9)
 Bolt Size 5/16"

Do not install or charge batteries in a sealed or non-ventilated compartment. Constant under or overcharging will damage the battery and shorten its life as with any battery.

Battery Dimensions (shown with EHPT)



Trojan T-105 Performance



% Capacity Vs. Temperature

