

EVGC-220A-AM (6V220Ah)

Specifications



Nominal Voltage		6 V
Capacity (25°C)	20HR	250 Ah
	10HR	220 Ah
Dimension	Length	260±2mm (10.24inch)
	Width	180±2mm (7.09inch)
	Height	254±2mm (10.00inch)
	Total Height	274±2mm (10.80inch)
Approx. Weight		31.2kg (68.8lbs)±4%
Terminal type		AT
Internal resistance (Fully charged, 25°C)		Approx. 3mΩ
Capacity affected by temperature (10HR)	40°C	102%
	25°C	100%
	0°C	85%
	-15°C	65%
Self-discharge (25°C)	3 month	Remaining Capacity: 91%
	6 month	Remaining Capacity: 82%
	12 month	Remaining Capacity: 65%
Nominal operating temperature		25°C±3°C(77°F±5°F)
Operating temperature range	Discharge	-15°C~50°C(5°F~122°F)
	Charge	-10°C~50°C(14°F~122°F)
	Storage	-20°C~50°C(-4°F~122°F)
Float charging voltage(25°C)		6.80 to 6.90V Temperature compensation: -18mV/°C
Cyclic charging voltage(25°C)		7.25 to 7.50V Temperature compensation: -30mV/°C
Maximum charging current		66A
Maximum discharge current		2200 A(5 sec.)
Designed floating life(20°C)		10 years

Construction

Component	Positive plate	Negative plate	Container	Cover	Separator	Electrolyte	Safety valve	Terminal
Raw material	Lead dioxide	Lead	ABS	ABS	AGM	Sulfuric acid	Rubber	Copper

Constant Current Discharge Characteristics (A, 25°C)

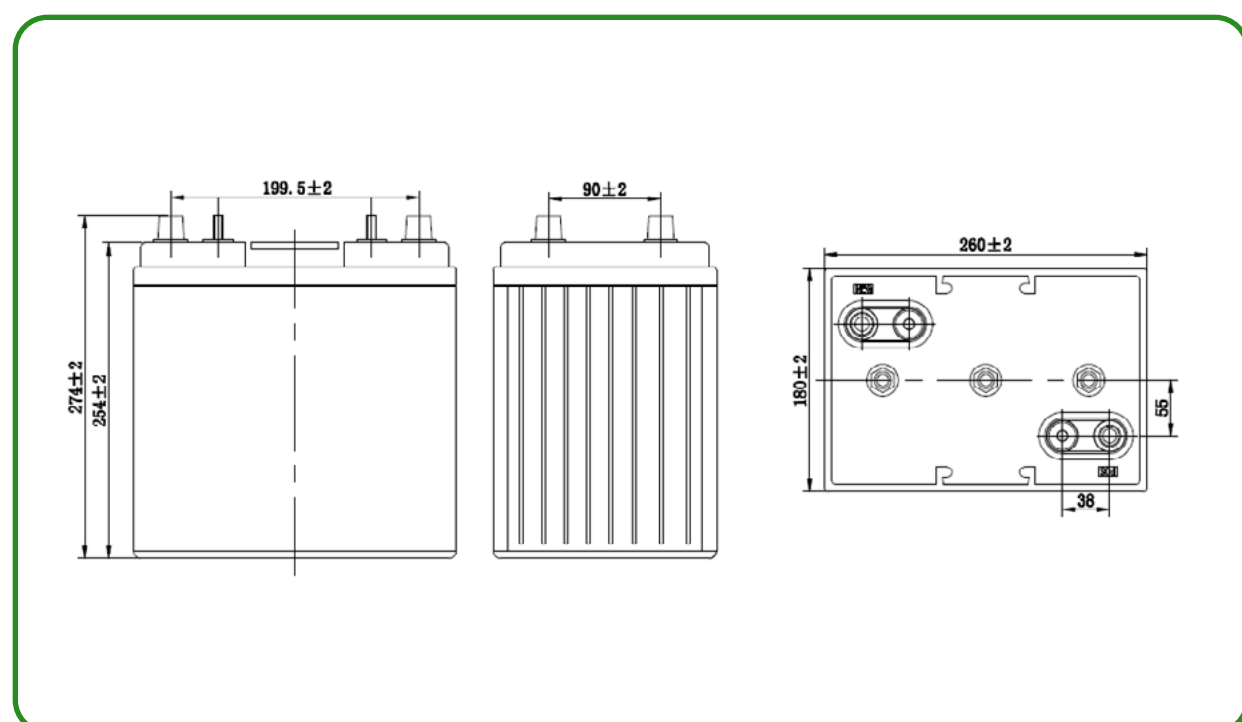
F.V/TIME	10min	15min	30min	60min	2h	3h	4h	5h	8h	10h	20h
4.80V	480	367	218	135	80.0	56.8	46.1	39.2	26.8	22.20	11.77
4.95V	463	358	215	133	79.1	56.5	45.5	38.9	26.7	22.17	11.74
5.10V	446	345	209	130	78.5	55.9	45.2	38.6	26.5	22.10	11.71
5.25V	426	333	203	127	77.2	55.6	44.9	38.3	26.4	22.04	11.65
5.40V	402	316	195	123	75.7	54.0	43.6	37.4	25.6	21.98	11.59

Constant Power Discharge Characteristics (Watt, 25°C)

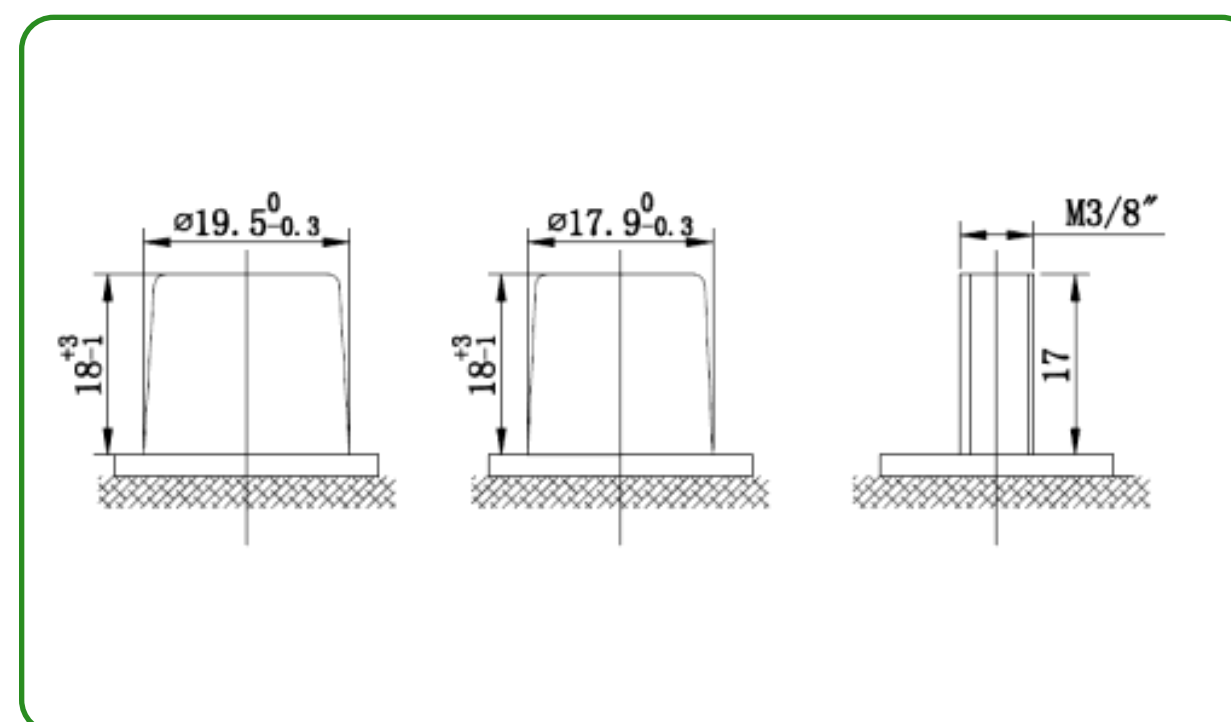
F.V/TIME	10min	15min	30min	60min	2h	3h	4h	5h	8h	10h	20h
4.80V	2570	2014	1231	770	462	334	270	233	160	132.6	70.6
4.95V	2493	1965	1205	758	459	333	269	229	159	132.5	70.5
5.10V	2391	1893	1170	739	456	330	267	228	158	132.1	70.3
5.25V	2288	1829	1142	722	449	328	264	226	157	131.4	69.9
5.40V	2161	1732	1101	720	436	320	258	220	153	130.3	69.4

Note: The above characteristics data can be obtained within three charge/discharge cycles.

Dimensions

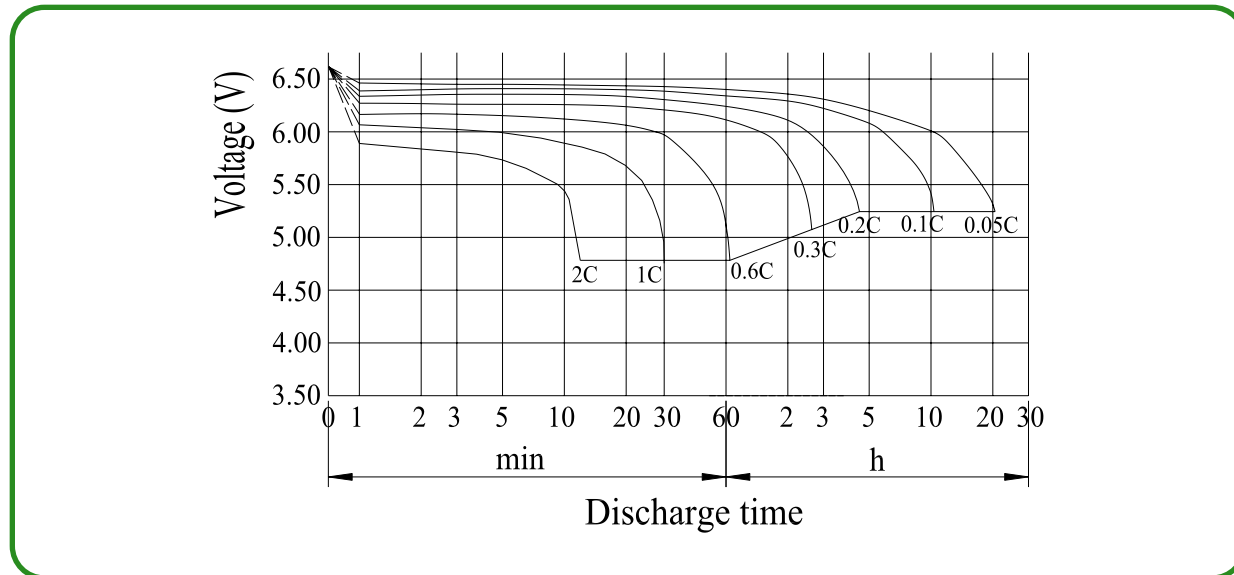


Terminal

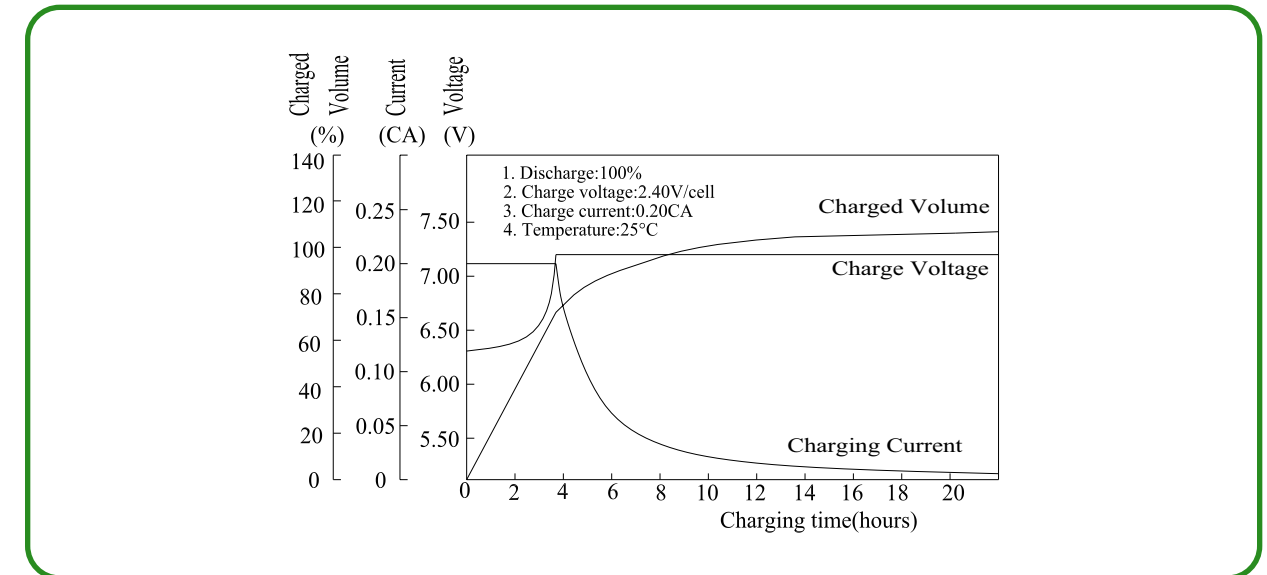


Performance Characteristics

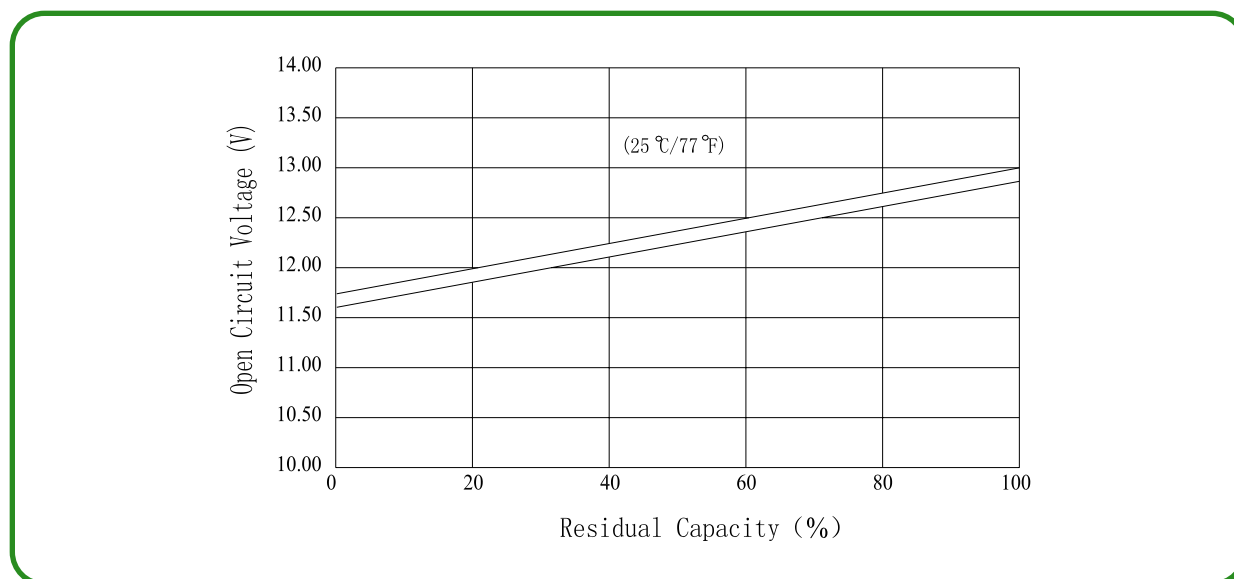
Discharge Characteristics (25°C)



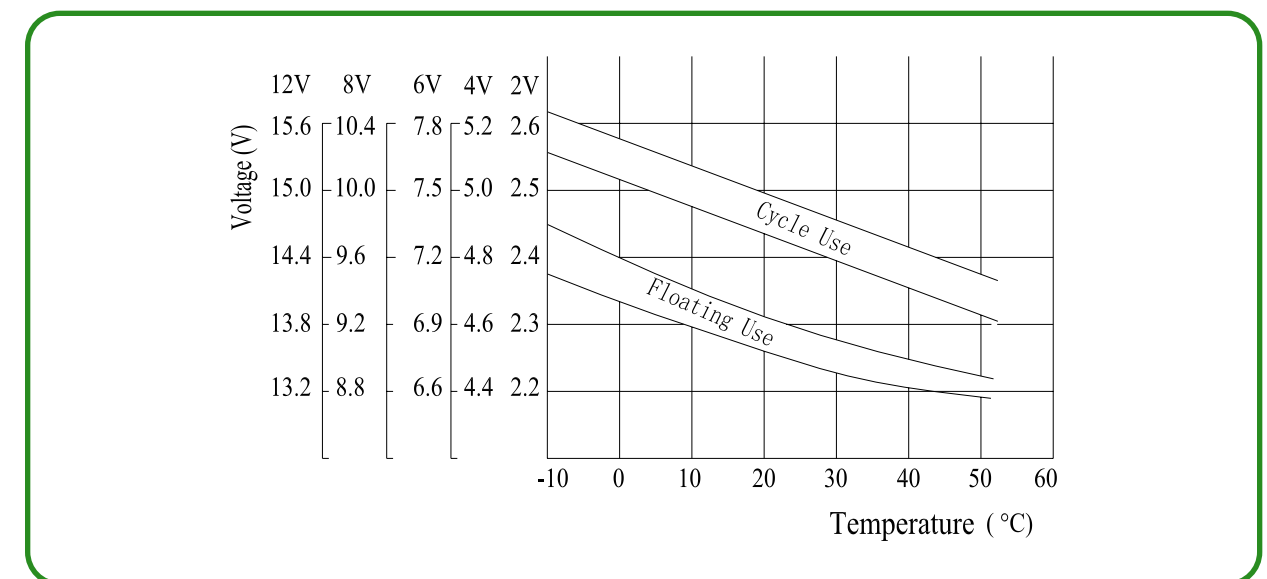
Charging Characteristics (25°C)



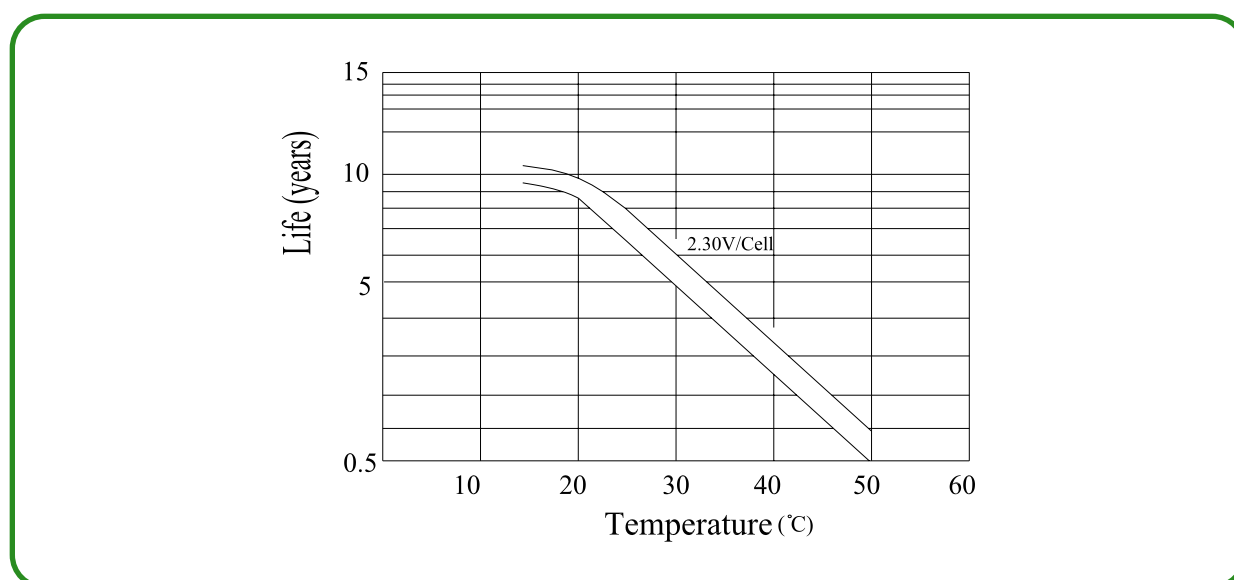
The Relationship for Open Circuit Voltage and Residual Capacity (25°C)



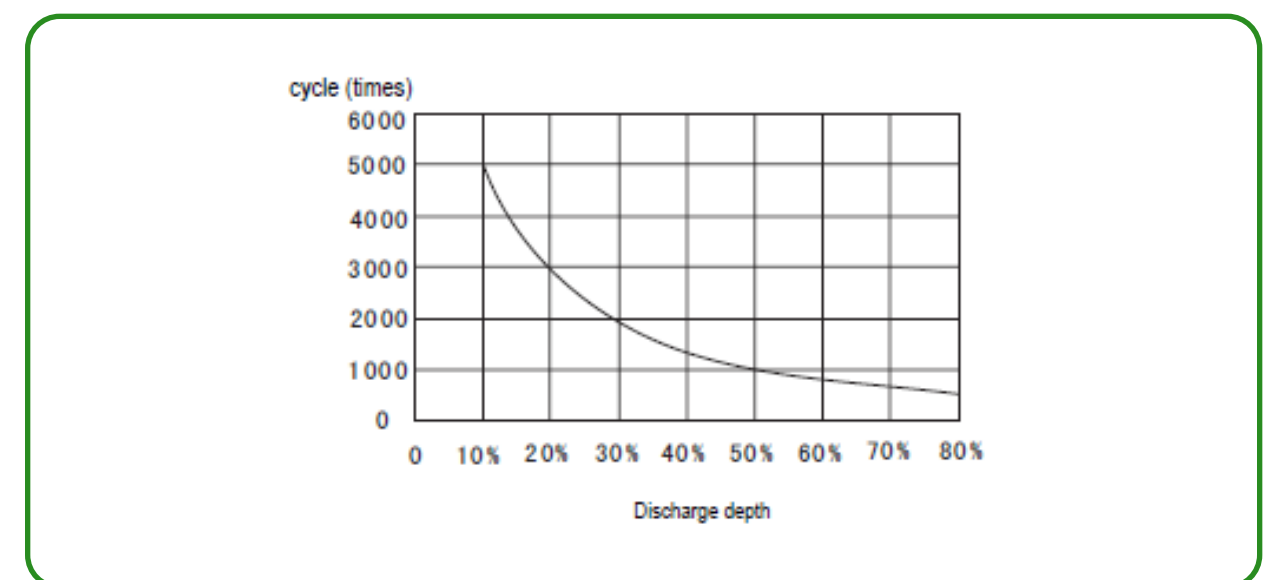
The Relationship for Charging Voltage and Temperature



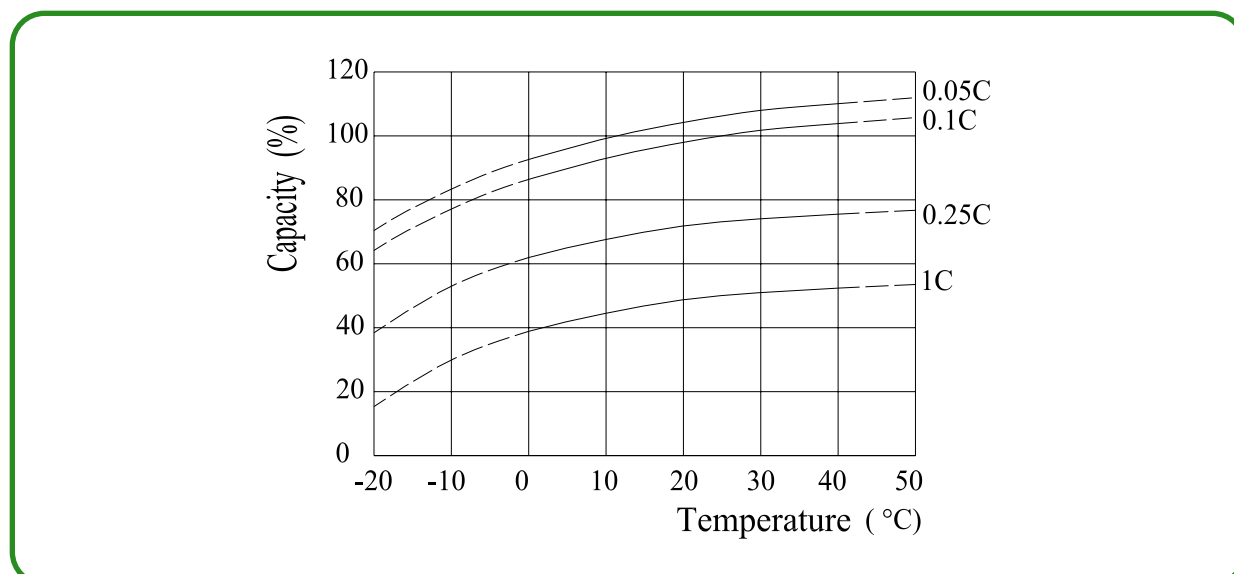
Floating Life on Temperature



Cycle Life on D.O.D (25°C)



Effect of Temperature on Capacity



Self-discharge Characteristics

